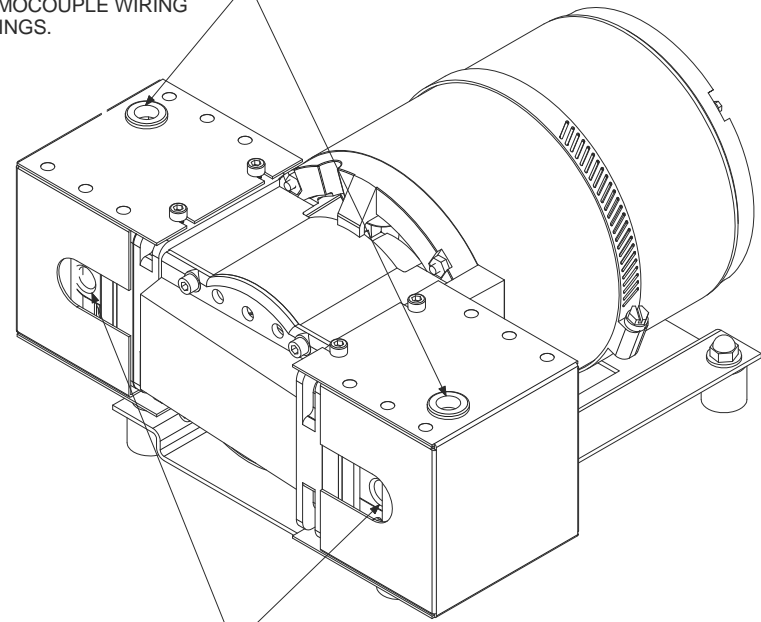
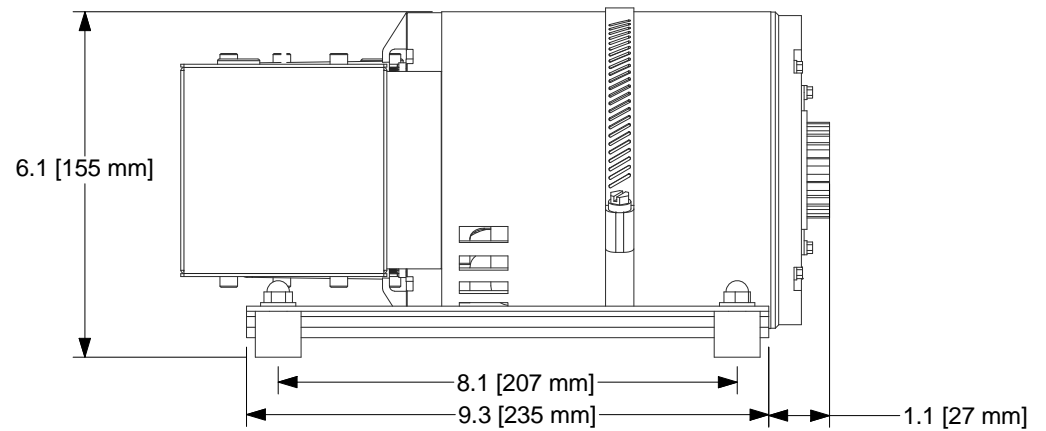
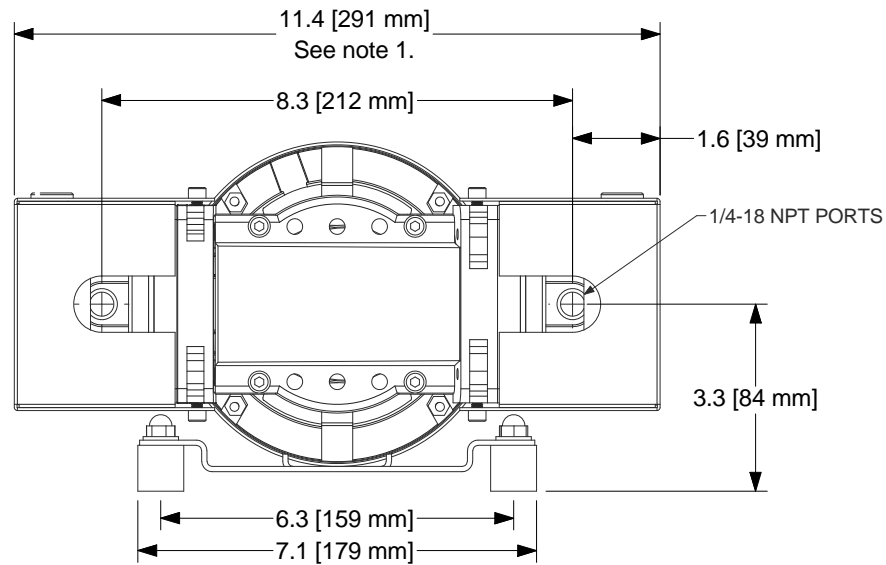


HEATER CARTRIDGE AND
THERMOCOUPLE WIRING
OPENINGS.




OUTLETS



01/15 (1703) A

Note:
1. Add 1.4 [36 mm] to overall width when RTD is used.

		AIR DIMENSIONS INC. DEERFIELD BEACH, FL. USA 33442 WWW.AIRDIMENSIONS.COM	
		DATE 8/20/2013	TITLE Double Heated Head Dia-Vac
APPROVED BY FDM	DWG NO Rxx2-xx-AC5-M	MODEL # Rxx2-xx-AC5-M	SHEET 1 OF 2