

Parts List			
ITEM	QTY	PART #	DESCRIPTION
1	1	A02001	BASE
2	1	A02005	VALVEBODY
3	2	A02011	BEARING
4	1	A02017	ROD BOLT
5	1	A02033	BUSHING
6	1	A03001	CAP
7	1	A03002	COUNTERWEIGHT
8	1	A03003	CLAMP
9	2	A03012	HEATER
10	1	A05001	ECCENTRIC
11	1	A05005	COVER
12	4	A06001	FOOT
13	1	A07020	GROMMET
14	1	A08001	HOUSING
15	1	A08023	HEATED HEAD
16	1	A09031	INSULATION
17	1	A13001	MOTOR
18	4	A14001	CAP NUT
19	1	A16001	PLATE-DIAPH.
20	1	A16007	COVER PLATE
21	1	A18001	CONN. ROD
22	2	A18002	TOLERANCE RING
23	4	A19005	SCREW-HEAD/BASE
24	1	A19007	PLATE SCREW
25	1	A19009	SCREW, CWGT.
26	1	A19010	SET SCREW
27	10	A19013	VALVEBODY SCREW
28	4	A19017	HEAD BOLT
29	1	A19044	HI-TEMP SPACER
30	2	A19428	SET SCREW
31	1	A20018	THERMOCOUPLE
32	4	A23004	WASHER
33	1	A23044	WASHER
34	1	*A04001	DIAPHRAGM
35	2	*A04004	DISC-VALVE
36	1	*A07001	GASKET
37	1	*A23001	WASHER

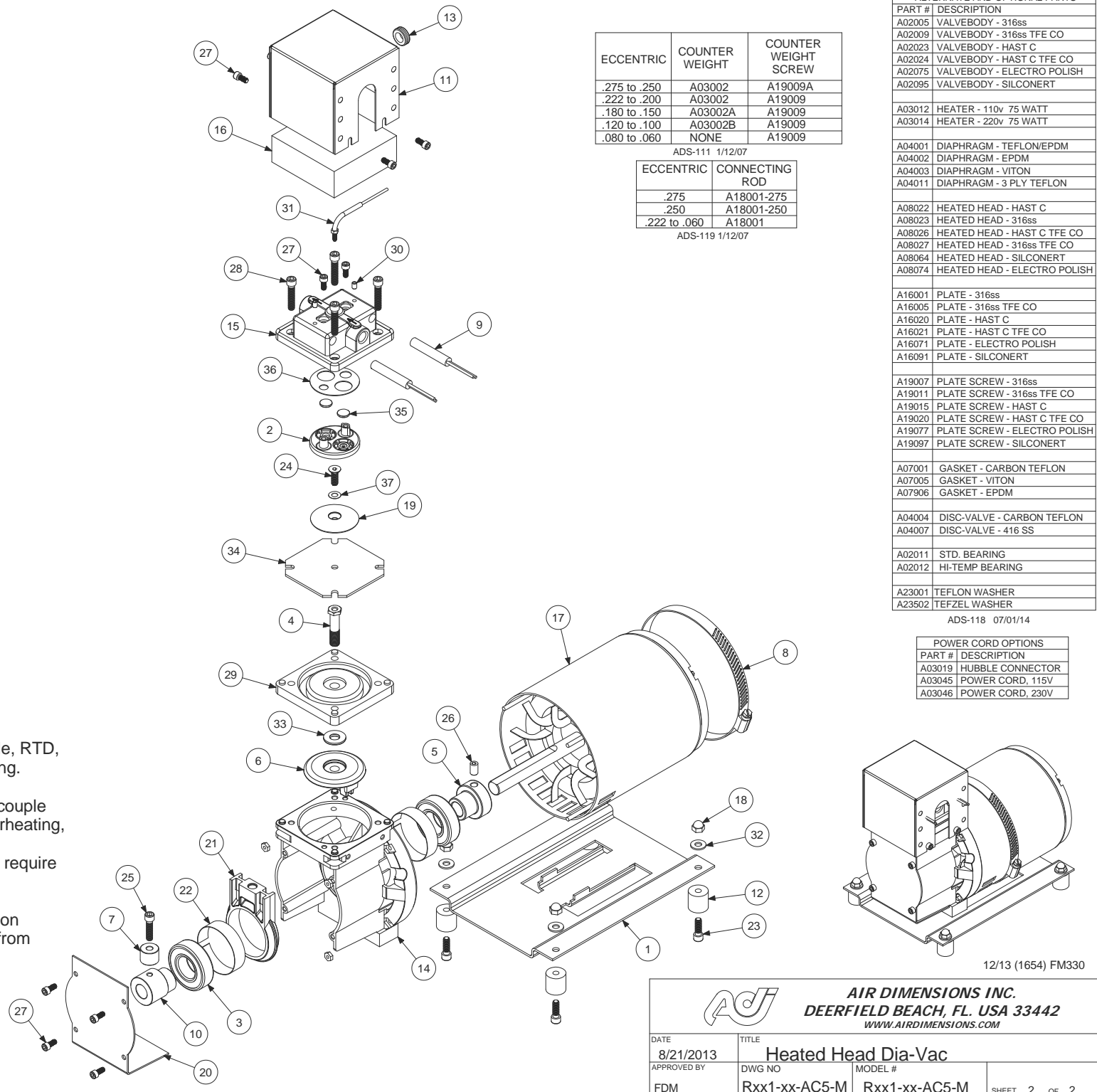
**\*RECOMMENDED SPARE PART KITS**

DIAPHRAGM KITS	
11005	TEFLON/EPDM
11007	VITON
11009	EPDM
11011	3-PLY TEFLON

INCLUDES PARTS 34-37.

- Notes:**
- This pump is equipped with a thermocouple, RTD, or a thermostat. Please refer to the following.  
  
A controller must be used with the thermocouple (A20018) or RTD (A18003) to prevent overheating, or  
A thermostat may be used which does not require a controller.
  - When the RTD is used, do not use insulation (A09031). Also increase A07020 quantity from one to two.

THERMOSTAT UNITS	
PART #	DESCRIPTION
A20065	OFF 65° C / ON 55° C
A20100	OFF 100° C / ON 90° C
A20140	OFF 140° C / ON 125° C
A20163	OFF 163° C / ON 143° C
A20200	OFF 200° C / ON 185° C



ECCENTRIC	COUNTER WEIGHT	COUNTER WEIGHT SCREW
.275 to .250	A03002	A19009A
.222 to .200	A03002	A19009
.180 to .150	A03002A	A19009
.120 to .100	A03002B	A19009
.080 to .060	NONE	A19009

ADS-111 1/12/07

ECCENTRIC	CONNECTING ROD
.275	A18001-275
.250	A18001-250
.222 to .060	A18001

ADS-119 1/12/07

ALTERNATE AND OPTIONAL PARTS	
PART #	DESCRIPTION
A02005	VALVEBODY - 316ss
A02009	VALVEBODY - 316ss TFE CO
A02023	VALVEBODY - HAST C
A02024	VALVEBODY - HAST C TFE CO
A02075	VALVEBODY - ELECTRO POLISH
A02095	VALVEBODY - SILCONERT

A03012	HEATER - 110v 75 WATT
A03014	HEATER - 220v 75 WATT

A04001	DIAPHRAGM - TEFLON/EPDM
A04002	DIAPHRAGM - EPDM
A04003	DIAPHRAGM - VITON
A04011	DIAPHRAGM - 3 PLY TEFLON

A08022	HEATED HEAD - HAST C
A08023	HEATED HEAD - 316ss
A08026	HEATED HEAD - HAST C TFE CO
A08027	HEATED HEAD - 316ss TFE CO
A08064	HEATED HEAD - SILCONERT
A08074	HEATED HEAD - ELECTRO POLISH

A16001	PLATE - 316ss
A16005	PLATE - 316ss TFE CO
A16020	PLATE - HAST C
A16021	PLATE - HAST C TFE CO
A16071	PLATE - ELECTRO POLISH
A16091	PLATE - SILCONERT

A19007	PLATE SCREW - 316ss
A19011	PLATE SCREW - 316ss TFE CO
A19015	PLATE SCREW - HAST C
A19020	PLATE SCREW - HAST C TFE CO
A19077	PLATE SCREW - ELECTRO POLISH
A19097	PLATE SCREW - SILCONERT

A07001	GASKET - CARBON TEFLON
A07005	GASKET - VITON
A07906	GASKET - EPDM

A04004	DISC-VALVE - CARBON TEFLON
A04007	DISC-VALVE - 416 SS

A02011	STD. BEARING
A02012	HI-TEMP BEARING

A23001	TEFLON WASHER
A23502	TEFZEL WASHER

ADS-118 07/01/14

POWER CORD OPTIONS	
PART #	DESCRIPTION
A03019	HUBBLE CONNECTOR
A03045	POWER CORD, 115V
A03046	POWER CORD, 230V

12/13 (1654) FM330

**AIR DIMENSIONS INC.**  
**DEERFIELD BEACH, FL. USA 33442**  
[WWW.AIRDIMENSIONS.COM](http://WWW.AIRDIMENSIONS.COM)

DATE 8/21/2013		TITLE Heated Head Dia-Vac	
APPROVED BY FDM	DWG NO Rxx1-xx-AC5-M	MODEL # Rxx1-xx-AC5-M	SHEET 2 OF 2