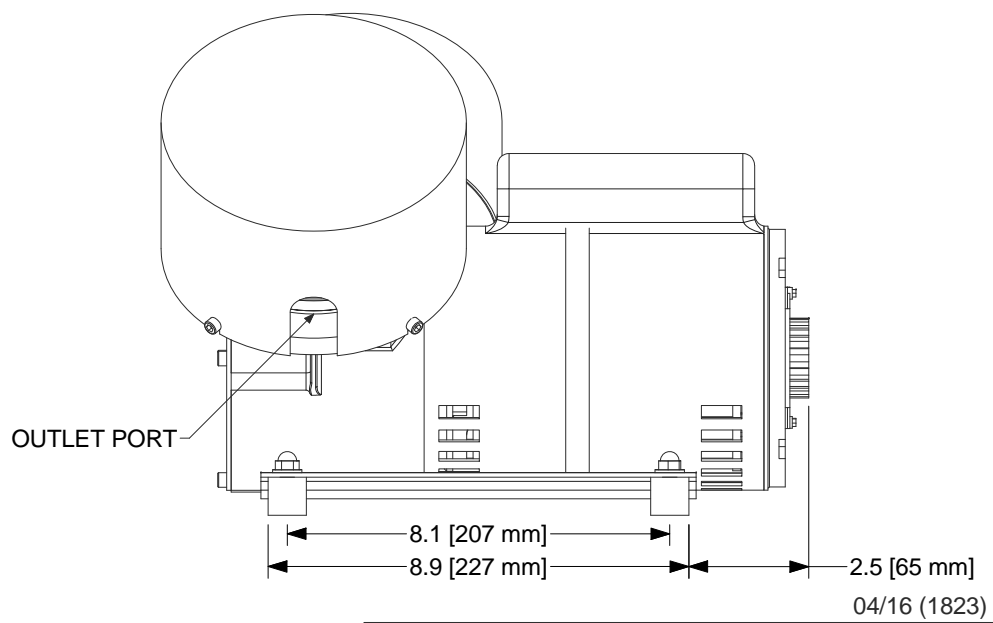
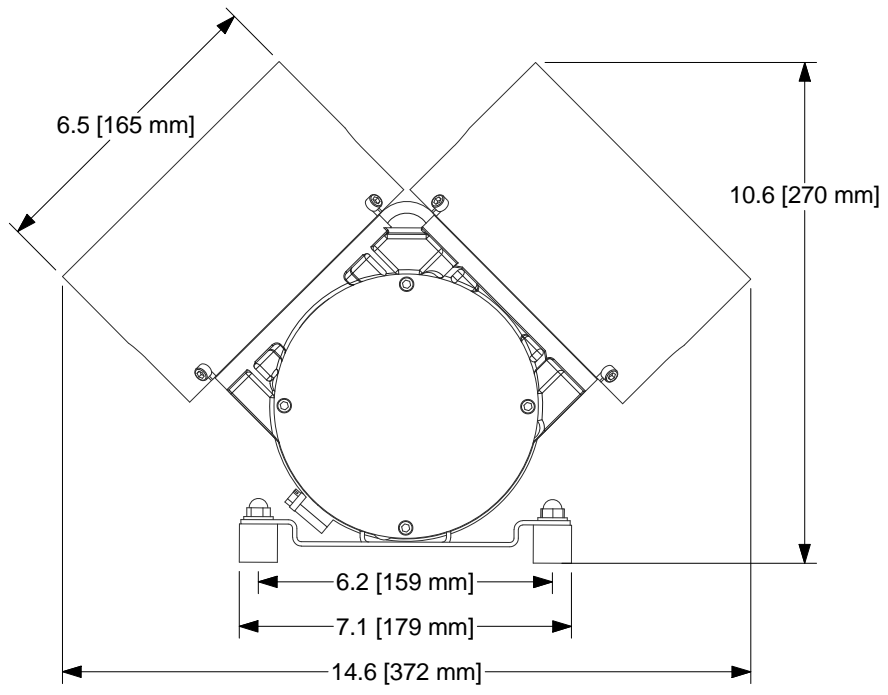



1/4-18 NPT PORTS



Note:

1. The distance from each port to the outside surface of the enclosure (Sheet 2, ITEM #11) is 1 inch.

		AIR DIMENSIONS INC. DEERFIELD BEACH, FL. USA 33442 WWW.AIRDIMENSIONS.COM	
		Heated Head H-Series Pump	
DATE	1/14/2011	TITLE	
APPROVED BY	FDM	DWG NO	H302-Fx-AC5-M
		MODEL #	H302-Fx-AC5-M
		SHEET 1 OF 2	