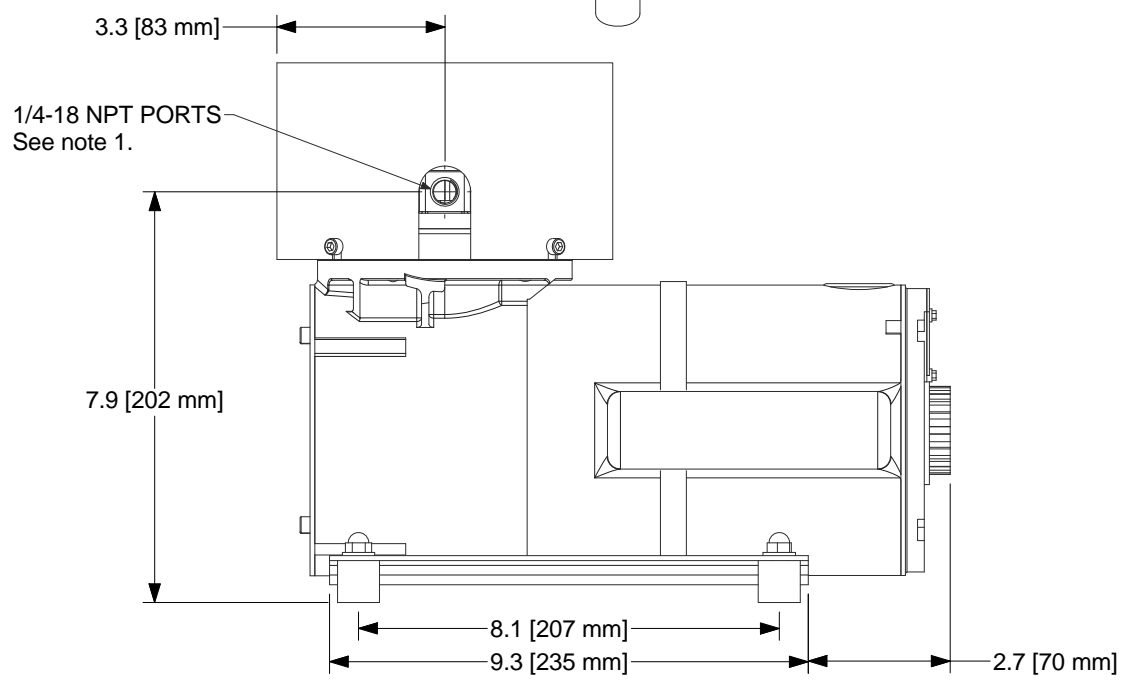
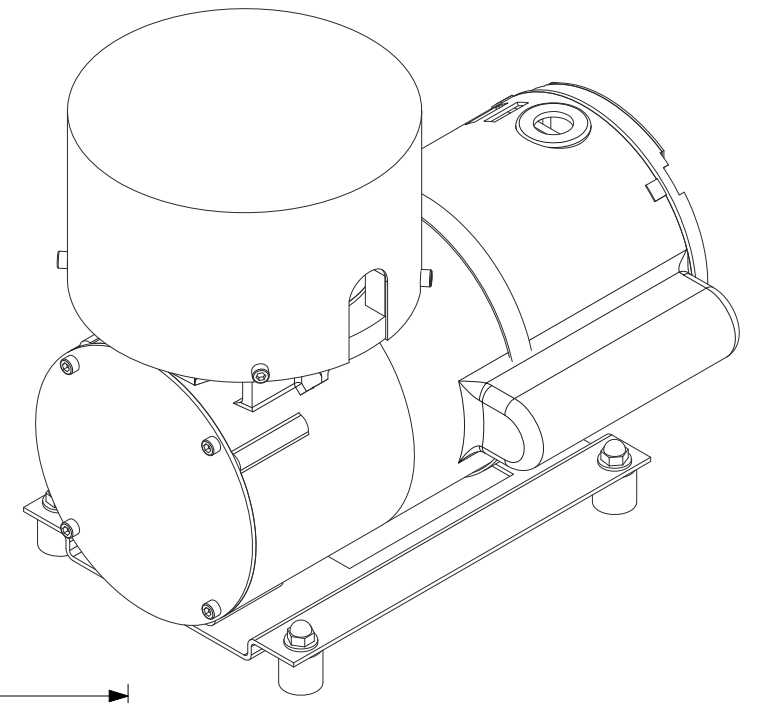



Note:

1. Inlet shown in this view.
2. The distance from each port to the outside surface of the enclosure (Sheet 2, ITEM #11) is 1 inch.



		AIR DIMENSIONS INC. DEERFIELD BEACH, FL. USA 33442 <small>WWW.AIRDIMENSIONS.COM</small>	
		Single Heated H-Series Pump	
DATE	1/10/2011	TITLE	Single Heated H-Series Pump
APPROVED BY	FDM	DWG NO	H301-Fx-AC5-M
		MODEL #	H301-Fx-AC5-M
			SHEET 1 OF 2

04/16 (1823)