

Parts List

ITEM	QTY	PART#	DESCRIPTION
1	1	A01604	ADAPTOR PLATE
2	1	A01830	ADAPTOR
3	4	A02018	BOLT-MOTOR
4	1	A02610	BEARING
5	1	A02611	BEARING
6	1	A02802	BASE
7	1	A02805	VALVEBODY
8	1	A03002A	COUNTERWEIGHT
9	1	A03801	CAP
10	1	A05601A-250	ECCENTRIC
11	1	A06606	ACCESS PLUG
12	4	A06801	FOOT
13	1	A08602B	HOUSING
14	1	A09801	INSULATION
15	1	A09802	INSULATION
16	1	A13070	MOTOR
17	4	A14001	CAP NUT
18	1	A16607	COVER PLATE
19	1	A16801	DIAPHRAGM PLATE
20	1	A16810	EXHAUST PORT
21	1	A16811	INTAKE PORT
22	1	A18601	CONROD
23	1	A18602	HSG. TOL. RING
24	1	A18603	CONROD TOL. RING
25	4	A19007	PORT SCREW
26	2	A19008	SET SCREW
27	5	A19009A	CWGT. SCREW
28	4	A19013	COVER SCREW
29	4	A19017A	PORT BOLT
30	4	A19026	SCREW, ADAPTOR
31	1	A19602	SHAFT EXT.
32	10	A19604	VALVEBODY BOLT
33	1	A19623	CONROD SPACER
34	1	A19644	HSG. SPACER
35	2	A19652	ROLL PIN
36	1	A19807	PLATE SCREW
37	1	A19820	CONROD SPACER
38	4	A23002	LOCK WASHER
39	4	A23004	WASHER
40	1	*A04811	DIAPHRAGM
41	2	*A07801	VALVE GASKET
42	1	*A23801	WASHER

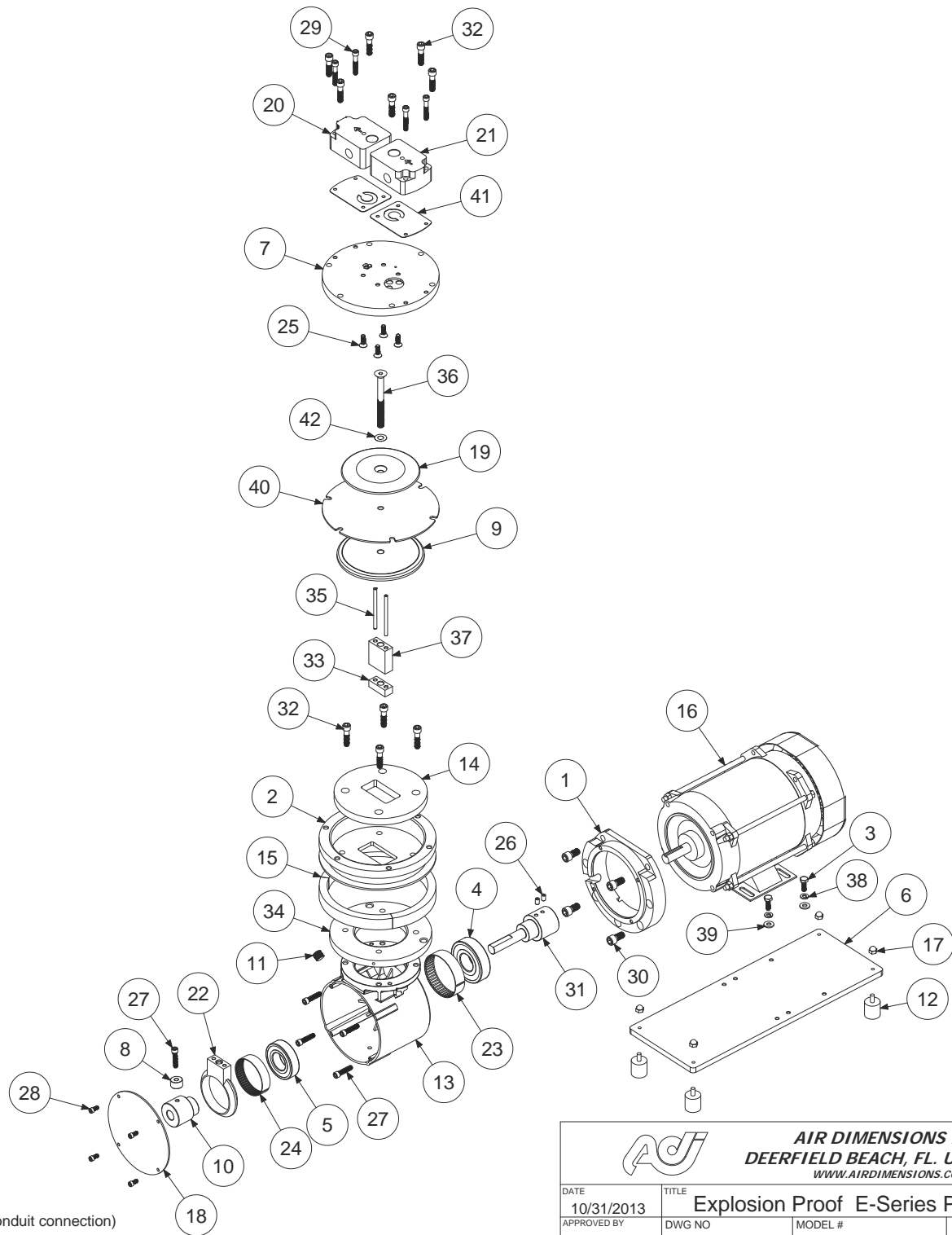
*RECOMMENDED SPARE PART KIT

DIAPHRAGM KIT
11811 3-PLY TEFLON


INCLUDES ITEMS 40-42

ALTERNATE MOTORS

A13070 1/2 HP 115/208-230/60/1 Group C, D (3/4-14 male conduit connection)
 A13072A 1/2 HP 115/230/50/1 OR 3/4 HP 115/230/60/1 Group C, D (1-11 1/2 male conduit connection)
 A13078B 1/2 HP 208/230/460/60/50/3 Group C, D (1-11 1/2 male conduit connection)



02/17 (1890)

		AIR DIMENSIONS INC. DEERFIELD BEACH, FL. USA 33442 WWW.AIRDIMENSIONS.COM			
		DATE 10/31/2013	TITLE Explosion Proof E-Series Pump	APPROVED BY FDM	DWG NO E251-FP-Nxx