

Parts List

| ITEM | QTY | PART#       | DESCRIPTION      |
|------|-----|-------------|------------------|
| 1    | 1   | A01645      | ADAPTOR PLATE    |
| 2    | 1   | A01830      | ADAPTOR          |
| 3    | 4   | A02018      | BOLT-MOTOR       |
| 4    | 1   | A02610      | BEARING          |
| 5    | 1   | A02611      | BEARING          |
| 6    | 1   | A02802      | BASE             |
| 7    | 1   | A02805      | VALVEBODY        |
| 8    | 1   | A03002A     | COUNTERWEIGHT    |
| 9    | 1   | A03801      | CAP              |
| 10   | 1   | A05601A-250 | ECCENTRIC        |
| 11   | 1   | A06606      | ACCESS PLUG      |
| 12   | 4   | A06801      | FOOT             |
| 13   | 1   | A08602B     | HOUSING          |
| 14   | 1   | A09801      | INSULATION       |
| 15   | 1   | A09802      | INSULATION       |
| 16   | 1   | A13050A     | MOTOR            |
| 17   | 4   | A14001      | CAP NUT          |
| 18   | 1   | A16607      | COVER PLATE      |
| 19   | 1   | A16801      | DIAPHRAGM PLATE  |
| 20   | 1   | A16810      | EXHAUST PORT     |
| 21   | 1   | A16811      | INTAKE PORT      |
| 22   | 1   | A18601      | CONROD           |
| 23   | 1   | A18602      | HSG. TOL. RING   |
| 24   | 1   | A18603      | CONROD TOL. RING |
| 25   | 4   | A19007      | PORT SCREW       |
| 26   | 2   | A19008      | SET SCREW        |
| 27   | 5   | A19009A     | CWGT. SCREW      |
| 28   | 4   | A19013      | COVER SCREW      |
| 29   | 4   | A19017A     | PORT BOLT        |
| 30   | 4   | A19024      | ADAPTOR SCREW    |
| 31   | 10  | A19604      | VALVEBODY BOLT   |
| 32   | 1   | A19623      | CONROD SPACER    |
| 33   | 1   | A19635      | SHAFT EXT.       |
| 34   | 1   | A19644      | HSG. SPACER      |
| 35   | 2   | A19652      | ROLL PIN         |
| 36   | 1   | A19807      | PLATE SCREW      |
| 37   | 1   | A19820      | CONROD SPACER    |
| 38   | 4   | A23002      | LOCK WASHER      |
| 39   | 4   | A23004      | WASHER           |
| 40   | 1   | *A04811     | DIAPHRAGM        |
| 41   | 2   | *A07801     | VALVE GASKET     |
| 42   | 1   | *A23801     | WASHER           |

\*RECOMMENDED SPARE PART KIT

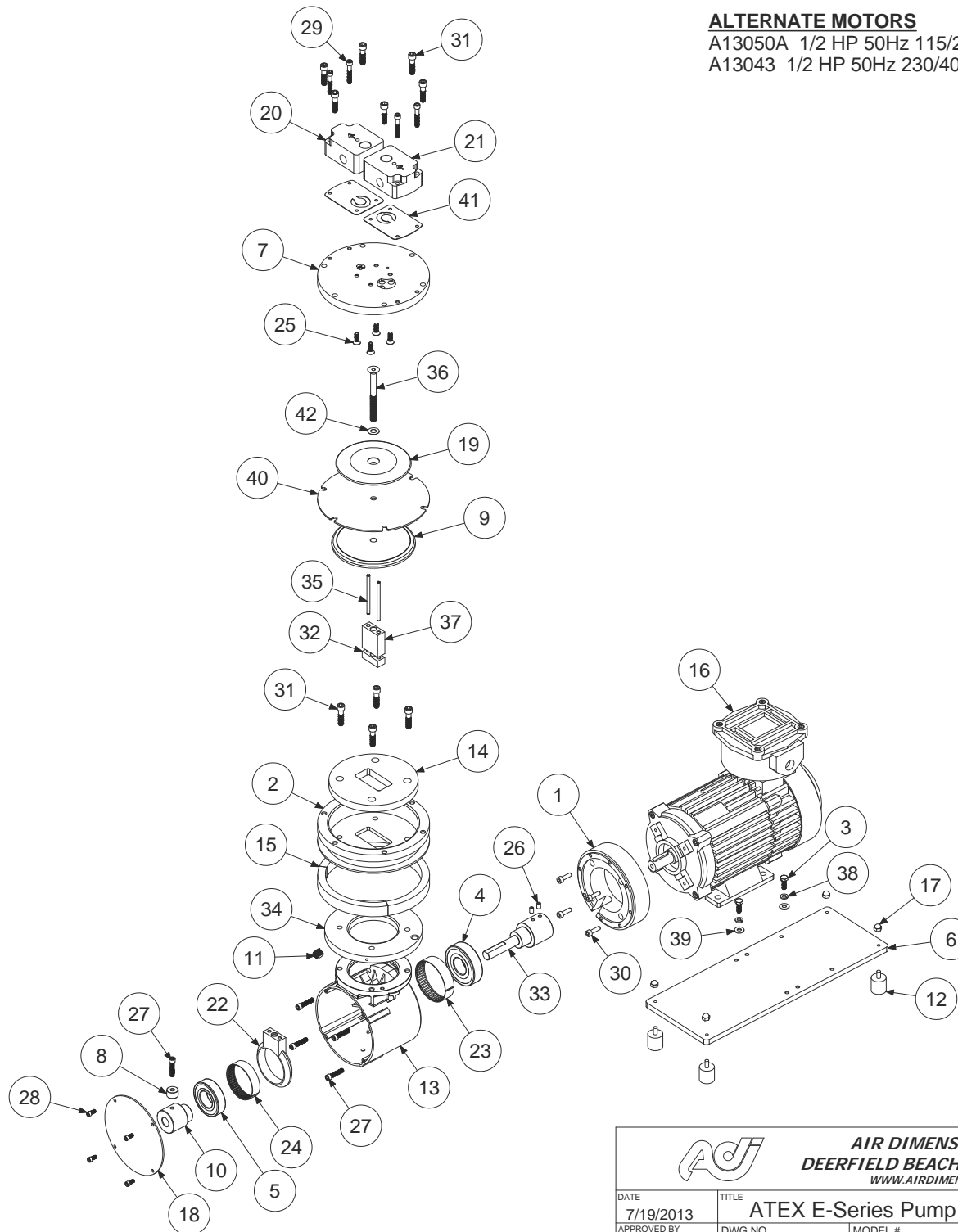
DIAPHRAGM KIT  
11811 3-PLY TEFLON

INCLUDES ITEMS 40-42

**ALTERNATE MOTORS**

A13050A 1/2 HP 50Hz 115/230 Volt 1 Phase

A13043 1/2 HP 50Hz 230/400 Volt 3 Phase



02/17 (1890)

|                    |                             |   |              |
|--------------------|-----------------------------|---|--------------|
|                    |                             | <b>AIR DIMENSIONS INC.</b><br>DEERFIELD BEACH, FL. USA 33442<br>WWW.AIRDIMENSIONS.COM |              |
| DATE<br>7/19/2013  | TITLE<br>ATEX E-Series Pump |   |              |
| APPROVED BY<br>FDM | DWG NO<br>E251-FP-Fxx       | MODEL #<br>E251-FP-Fxx  | SHEET 2 OF 2 |