

Parts List

ITEM	QTY	PART #	DESCRIPTION
1	2	A02411	BEARING
2	1	A02441A	BASE
3	2	A02465	VALVEBODY
4	2	A03461	CAP
5	2	A05401	ECCENTRIC SCREW
6	4	A06401A	FOOT
7	1	A06443	BLUE FAN
8	1	A06444	WHITE FAN
9	2	A08403	HEAD
10	2	A08461	HOUSING
11	1	A13402	MOTOR
12	2	A14401	COUNTERWEIGHT
13	2	A16407	FAN COVER
14	2	A16461	PLATE
15	2	A18402	TOLERANCE RING
16	2	A18461	CONNECTING ROD
17	2	A19013	ECCENTRIC SCREW
18	4	A19021	SCREW
19	8	A19309	HEAD SCREW
20	4	A19419	HOUSING SCREW
21	2	A19467	PLATE SCREW
22	8	A23402	WASHER
23	2	*A04461	DIAPHRAGM
24	2	*A07411	GASKET
25	2	*A23461	WASHER

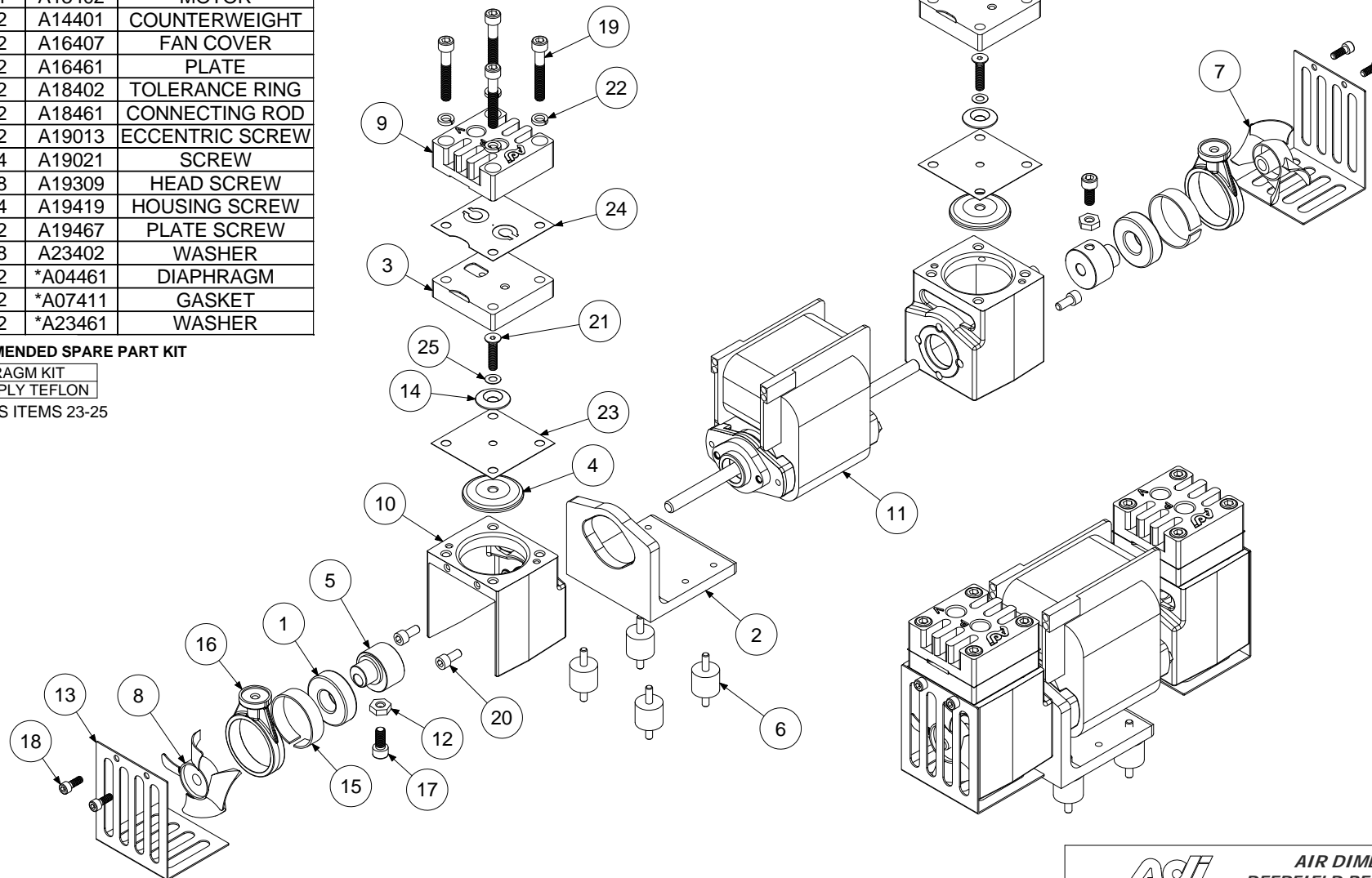
*RECOMMENDED SPARE PART KIT

DIAPHRAGM KIT
11461 2-PLY TEFLON
INCLUDES ITEMS 23-25


ALTERNATE PLATE SCREWS	
PART #	DESCRIPTION
A19467	PLATE SCREW - 316ss
A19474	PLATE SCREW - 316ss TFE CO
A19497	PLATE SCREW - SILCONERT

ALTERNATE AND OPTIONAL PARTS	
PART #	DESCRIPTION
A02460	VALVEBODY - ALUM TFE CO
A02465	VALVEBODY - 316ss
A02466	VALVEBODY - ALUM
A02469	VALVEBODY - 316ss TFE CO
A02495	VALVEBODY - SILCONERT
A08403	HEAD - 316ss
A08404	HEAD - ALUM
A08407	HEAD - 316ss TFE CO
A08408	HEAD - ALUM TFE CO
A08493	HEAD - SILCONERT
A16461	PLATE - 316ss
A16465	PLATE - 316ss TFE CO
A16491	PLATE - SILCONERT

ADS-121 12/7/12



02/15 (1744)

		AIR DIMENSIONS INC. DEERFIELD BEACH, FL. USA 33442 WWW.AIRDIMENSIONS.COM	
DATE	1/11/2011	TITLE	B-Series Double Head Pump
APPROVED BY	FDM	DWG NO	Bxx2-xx-AC5
		MODEL #	Bxx2-xx-AC5
			SHEET 2 OF 2