

RPM adjustment
access cap.

5.4 [138 mm]

1/8 - 27 NPT PORTS

1.0 [27 mm]

.4 [10 mm]

.6 [16 mm]

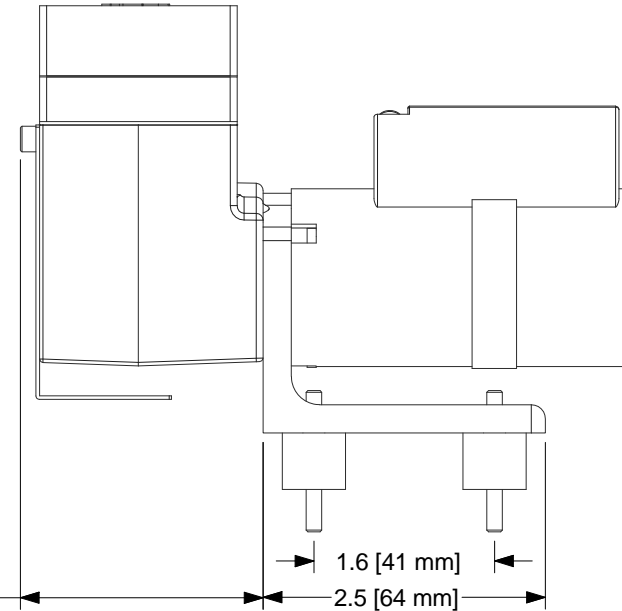
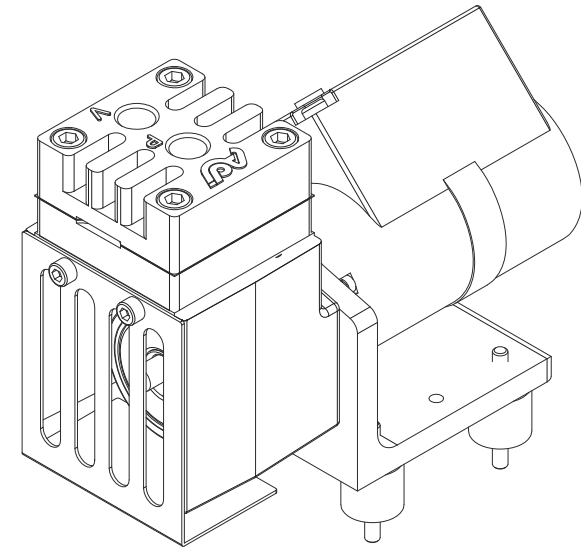
1.8 [44 mm]

4.3 [109 mm]

1.9 [47 mm]

4X 8-32 UNC-2A

2.7 [69 mm]



2.2 [55 mm]

1.6 [41 mm]

2.5 [64 mm]

09/12 (1548) FM257



AIR DIMENSIONS INC.
DEERFIELD BEACH, FL. USA 33442
WWW.AIRDIMENSIONS.COM

DATE 4/26/2001	TITLE Single Brushless DC Micro		
APPROVED BY FDM	DWG NO Bxx1-xx-Hx0	MODEL # Bxx1-xx-Hx0	SHEET 1 OF 2