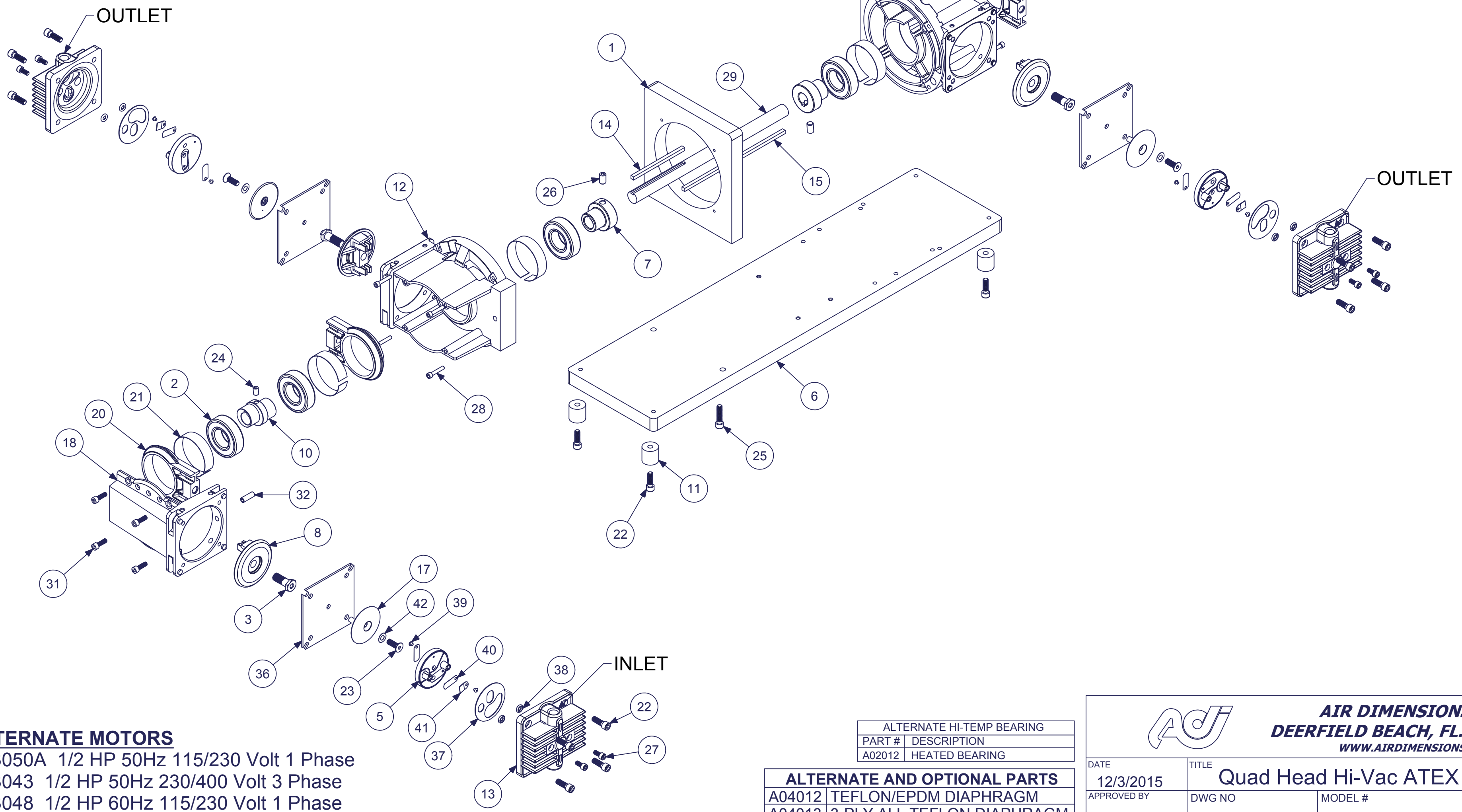
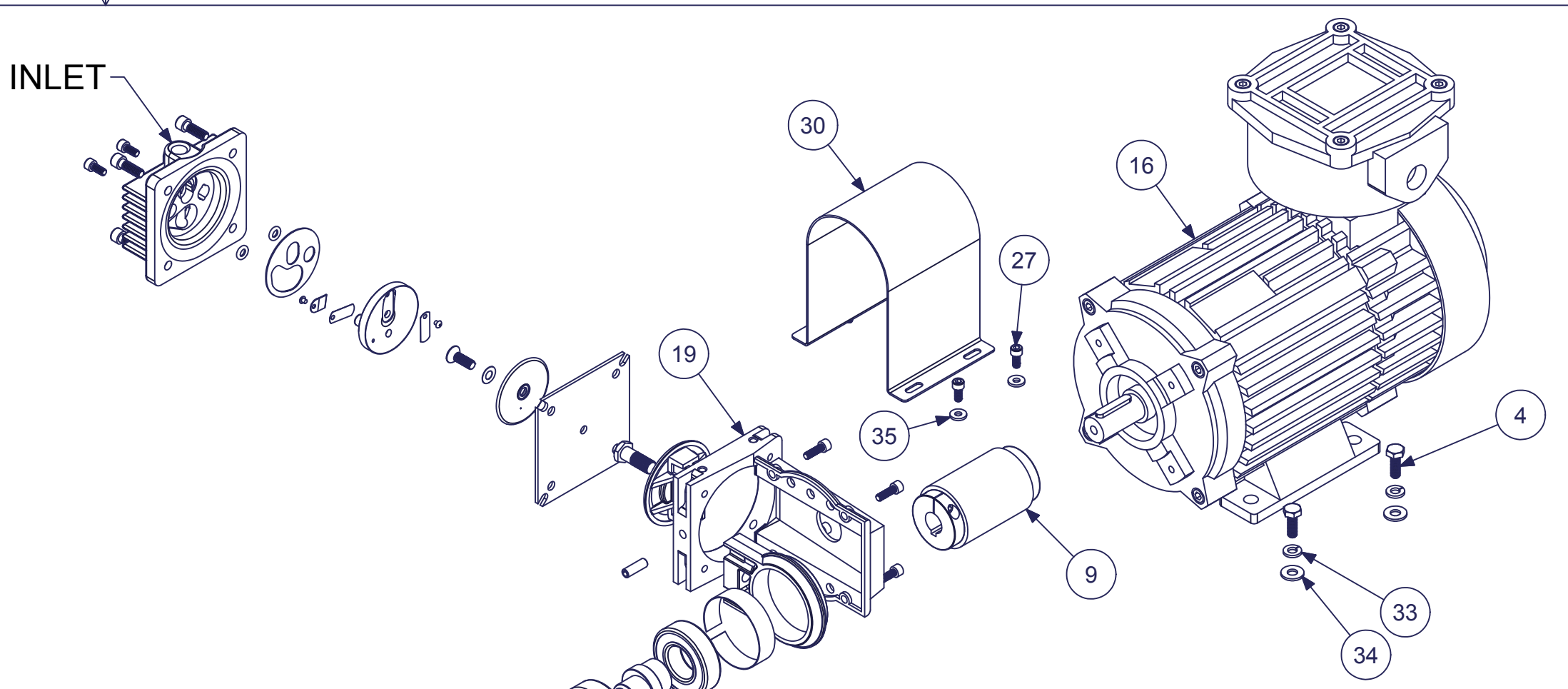


Parts List				Parts List			
ITEM	QTY	PART #	DESCRIPTION	ITEM	QTY	PART #	DESCRIPTION
1	1	A01038	ADAPTOR	22	20	A19005	SCREW-HEAD/BASE
2	6	A02011	BEARING	23	4	A19007	PLATE SCREW
3	4	A02014	ROD BOLT	24	2	A19008	SET SCREW
4	4	A02018	BOLT-MOTOR	25	2	A19009	SCREW
5	4	A02028	VALVEBODY	26	2	A19010	SET SCREW
6	1	A02032	BASE	27	11	A19013	VALVEBODY SCREW
7	2	A02033S	BUSHING	28	8	A19018	HOUSING SCREW
8	4	A03001	CAP	29	1	A19025	KEYED SHAFT
9	1	A03021	COUPLING	30	1	A19027	SHROUD
10	2	A05006-250	ECCENTRIC	31	8	A19031	2nd STAGE SCREW
11	4	A06001	FOOT	32	2	A19050	SPRING PIN
12	2	A08002	HOUSING, XP	33	4	A23002	LOCK WASHER
13	4	A08040	HEAD	34	4	A23004	WASHER
14	1	A11504	KEY	35	3	A23302	WASHER
15	1	A11505	KEY	36	4	*A04012	DIAPHRAGM
16	1	A13050A	MOTOR	37	4	*A07012	GASKET
17	4	A16001	PLATE	38	8	*A15003	O-RING
18	1	A16008	2nd STAGE	39	8	*A22002	4-40 SCREW
19	1	A16008S	2nd STAGE	40	8	*A22004	FLAPPER VALVE
20	4	A18001	CONN. ROD	41	4	*A22005	VALVE STOP
21	6	A18002	TOLERANCE RING	42	4	*A23001	WASHER

***RECOMMENDED SPARE PART KITS**

DIAPHRAGM KITS	
11012	TEFLON/EPDM
11014	3-PLY TEFLON

INCLUDES ITEMS 36-42



ALTERNATE MOTORS

- A13050A 1/2 HP 50Hz 115/230 Volt 1 Phase
- A13043 1/2 HP 50Hz 230/400 Volt 3 Phase
- A13048 1/2 HP 60Hz 115/230 Volt 1 Phase

ALTERNATE HI-TEMP BEARING	
PART #	DESCRIPTION
A04012	HEATED BEARING

ALTERNATE AND OPTIONAL PARTS	
A04012	TEFLON/EPDM DIAPHRAGM
A04013	3-PLY ALL TEFLON DIAPHRAGM

12/15 (1797)

		AIR DIMENSIONS INC. DEERFIELD BEACH, FL. USA 33442 WWW.AIRDIMENSIONS.COM	
DATE	12/3/2015	TITLE	Quad Head Hi-Vac ATEX Pump
APPROVED BY	FDM	DWG NO	RVA4-Fx-Fxx
		MODEL #	RVA4-Fx-Fxx
		SHEET 2 OF 2	