

Parts List			
ITEM	QTY	PART #	DESCRIPTION
1	1	A01001	ADAPTOR PLATE
2	1	A02002	BASE, XP
3	3	A02011	BEARING
4	2	A02014	ROD BOLT
5	4	A02018	BOLT-MOTOR
6	2	A02028	VALVEBODY
7	1	A02033	BUSHING
8	2	A03001	CAP
9	1	A05002-250	ECCENTRIC
10	4	A06001	FOOT
11	1	A08002	HOUSING, XP
12	2	A08040	HEAD
13	1	A13022	MOTOR
14	4	A14001	CAP NUT
15	4	A14002	NUT
16	2	A16001	PLATE
17	1	A16008	2nd STAGE
18	2	A18001	CONN. ROD
19	3	A18002	TOLERANCE RING
20	12	A19005	SCREW-HEAD/BASE
21	2	A19007	PLATE SCREW
22	1	A19008	SET SCREW
23	1	A19010	SET SCREW
24	4	A19013	VALVEBODY SCREW
25	4	A19018	HOUSING SCREW
26	4	A19022	ADPT. SCREW
27	4	A19031	2nd STAGE SCREW
28	1	A19050	SPRING PIN
29	4	A23002	LOCK WASHER
30	12	A23004	WASHER
31	2	*A04012	DIAPHRAGM
32	2	*A07012	GASKET
33	4	*A15003	O-RING
34	4	*A22002	4-40 SCREW
35	4	*A22004	FLAPPER VALVE
36	2	*A22005	VALVE STOP
37	2	*A23001	WASHER

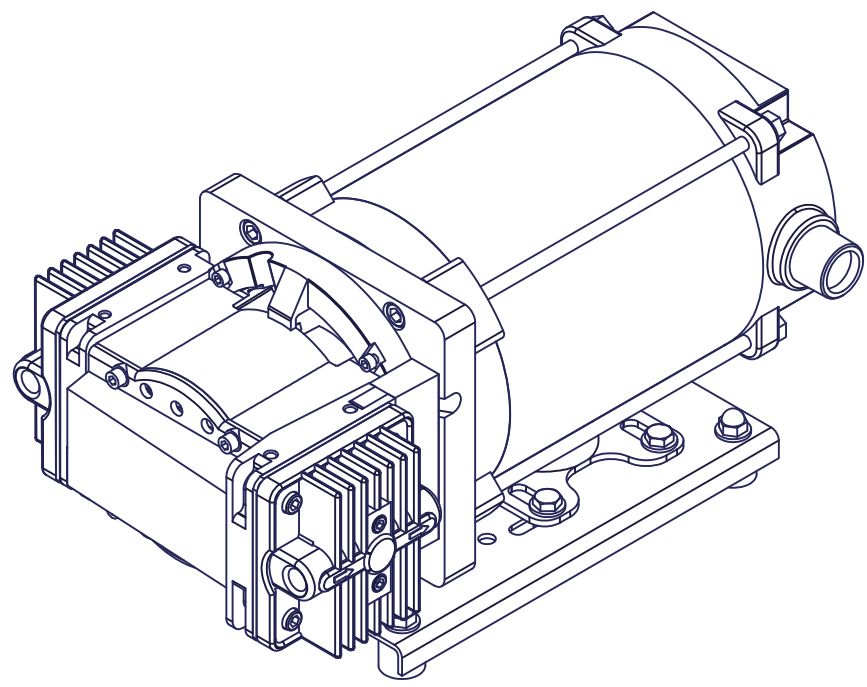
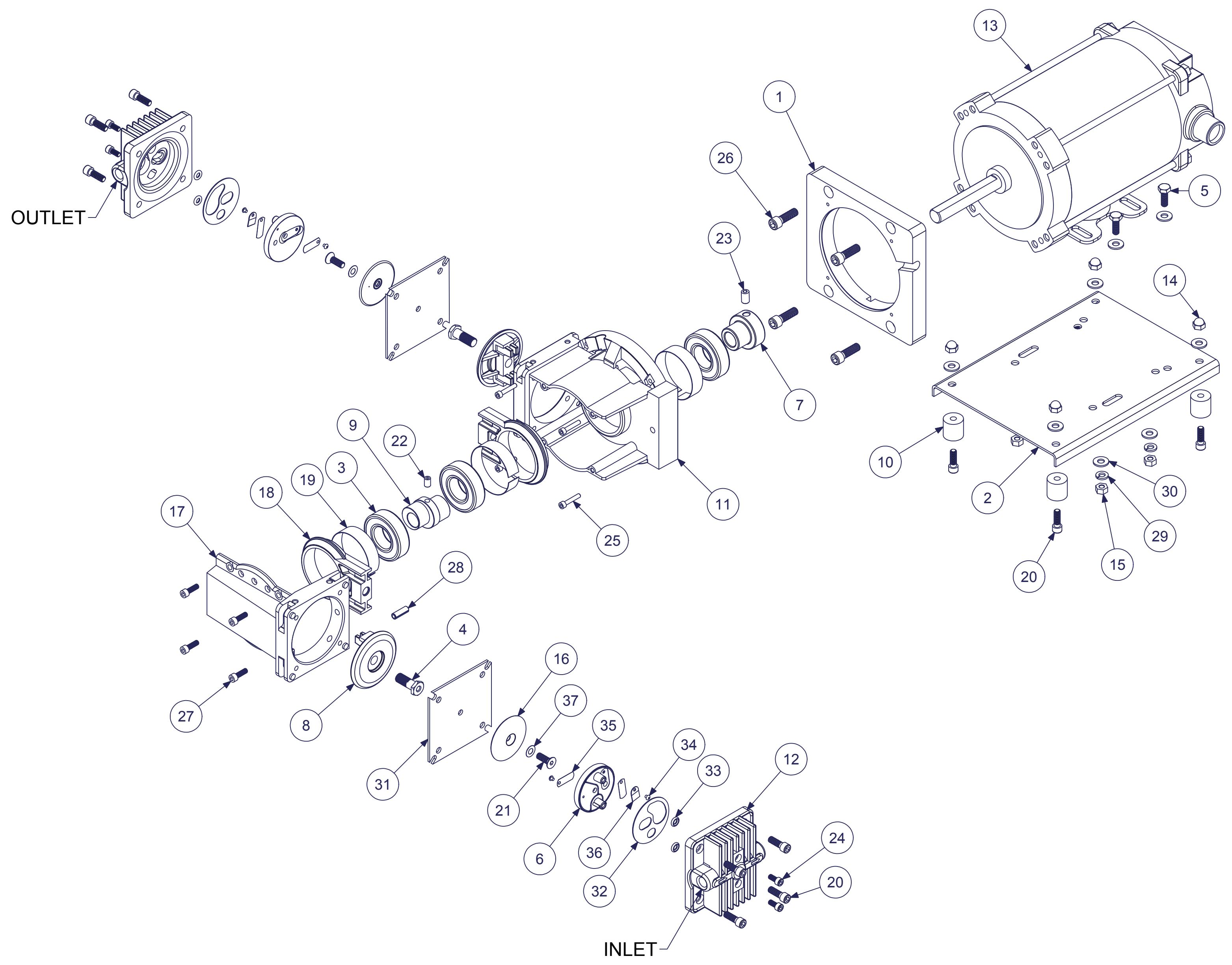
**\*RECOMMENDED SPARE PART KITS**

DIAPHRAGM KITS	
11012	TEFLON/EPDM
11014	3-PLY TEFLON


INCLUDES ITEMS 31-37

**ALTERNATE AND OPTIONAL PARTS**

A04012	TEFLON/EPDM DIAPHRAGM
A04013	3-PLY ALL TEFLON DIAPHRAGM



07/16 (1841)

		<b>AIR DIMENSIONS INC.</b> DEERFIELD BEACH, FL. USA 33442 <a href="http://WWW.AIRDIMENSIONS.COM">WWW.AIRDIMENSIONS.COM</a>	
DATE	7/30/2014	TITLE	Double Head Hi-Vacuum XP Pump
APPROVED BY	FDM	DWG NO	RVA2-Fx-RC5
		MODEL #	RVA2-Fx-RC5
		SHEET 2 OF 2	