

Parts List			
ITEM	QTY	PART #	DESCRIPTION
1	1	A02001	BASE
2	3	A02011	BEARING
3	2	A02014	ROD BOLT
4	2	A02028	VALVEBODY
5	1	A02033	BUSHING
6	2	A03001	CAP
7	1	A03003	CLAMP
8	1	A05002-250	ECCENTRIC
9	4	A06001	FOOT
10	1	A08001	HOUSING
11	2	A08040	HEAD
12	1	A13001	MOTOR
13	4	A14001	CAP NUT
14	2	A16001	PLATE
15	1	A16008	2nd STAGE
16	2	A18001	CONN. ROD
17	3	A18002	TOLERANCE RING
18	12	A19005	SCREW-HEAD/BASE
19	2	A19007	PLATE SCREW
20	1	A19008	SET SCREW
21	1	A19010	SET SCREW
22	4	A19013	VALVEBODY SCREW
23	4	A19031	2nd STAGE SCREW
24	1	A19050	SPRING PIN
25	4	A23004	WASHER
26	2	*A04012	DIAPHRAGM
27	2	*A07012	GASKET
28	4	*A15003	O-RING
29	4	*A22002	4-40 SCREW
30	4	*A22004	FLAPPER VALVE
31	2	*A22005	VALVE STOP
32	2	*A23001	WASHER

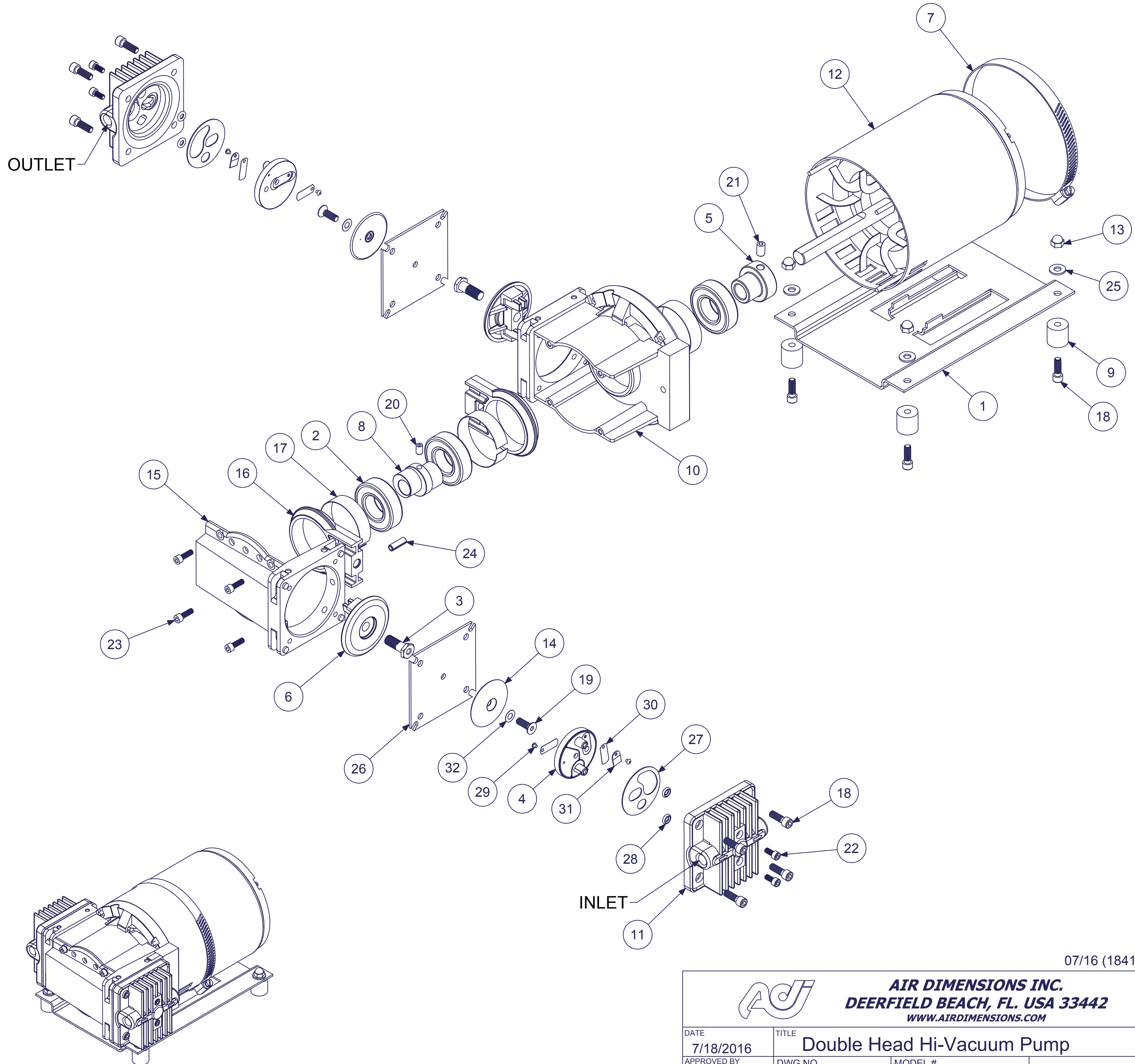
**\*RECOMMENDED SPARE PART KITS**

DIAPHRAGM KITS	
11012	TEFLON/EPDM
11014	3-PLY TEFLON
11019	EPDM ( NO TEFLON)

INCLUDES ITEMS 26-32

POWER CORD OPTIONS	
PART #	DESCRIPTION
A03019	HUBBLE CONNECTOR
A03045	POWER CORD, 115V
A03046	POWER CORD, 230V

ALTERNATE AND OPTIONAL PARTS	
A04002	DIAPHRAGM - EPDM
A04012	DIAPHRAGM - TEFLON/EPDM
A04013	DIAPHRAGM - 3-PLY TEFLON
A07012	GASKET - CARBON TEFLON
A07013	GASKET - EPDM
A23001	WASHER - TEFLON
A23502	WASHER - TEFZEL



07/16 (1841)

		<b>AIR DIMENSIONS INC.</b> DEERFIELD BEACH, FL. USA 33442 WWW.AIRDIMENSIONS.COM	
DATE	7/18/2016	TITLE	Double Head Hi-Vacuum Pump
APPROVED BY	FDM	DWG NO	RVA2-Fx-AC5
		MODEL #	RVA2-Fx-AC5
			SHEET 2 OF 2