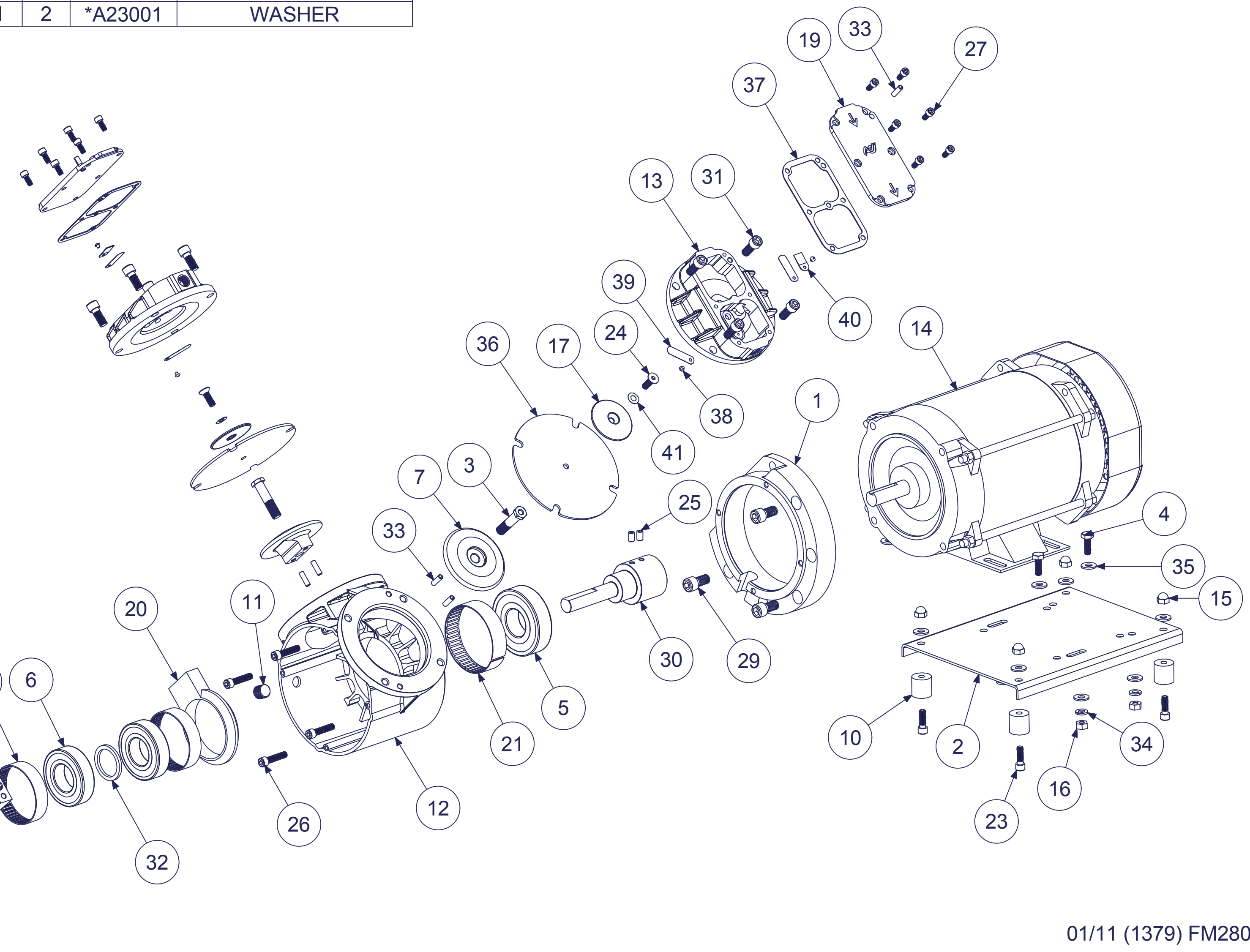


Parts List				Parts List			
ITEM	QTY	PART #	DESCRIPTION	ITEM	QTY	PART #	DESCRIPTION
1	1	A01604	ADAPTOR PLATE	33	6	A19651	ROLL PIN
2	1	A02002	BASE, XP	34	4	A23002	LOCK WASHER
3	2	A02017	ROD BOLT	35	12	A23004	WASHER
4	4	A02018	BOLT-MOTOR	36	2	*A04601	DIAPHRAGM
5	1	A02610	BEARING	37	2	*A07601	GASKET
6	2	A02611	BEARING	38	4	*A22002	4-40 SCREW
7	2	A03601	CAP	39	4	*A22601	VALVE
8	1	A03602	COUNTERWEIGHT	40	2	*A22605	VALVE STOP
9	1	A05601	ECCENTRIC	41	2	*A23001	WASHER
10	4	A06001	FOOT				
11	1	A06606	ACCESS PLUG				
12	1	A08601	HOUSING				
13	2	A08603	HEAD				
14	1	A13070	MOTOR				
15	4	A14001	CAP NUT				
16	4	A14002	NUT				
17	2	A16601	DIAPH. PLATE				
18	1	A16607	COVER, HSG.				
19	2	A16608	COVER, HEAD				
20	2	A18601	CONROD				
21	1	A18602	TOL. RING				
22	2	A18603	TOL. RING				
23	4	A19005	SCREW				
24	2	A19007	PLATE SCREW				
25	2	A19008	SET SCREW				
26	4	A19009A	SCREW				
27	16	A19013	COVER SCREW				
28	1	A19017	SCREW				
29	3	A19026	SCREW, ADAPTOR				
30	1	A19602	SHAFT EXT.				
31	8	A19605	HEAD BOLT				
32	1	A19620	SPACER				

ALTERNATE DIAPHRAGMS
A04601 Teflon/EPDM Diaphragm
A04611 All Teflon Diaphragm



***RECOMMENDED SPARE PART KITS**

DIAPHRAGM KITS	
11605	TEFLON/EPDM
11611	3-PLY TEFLON

INCLUDES ITEMS 36-41

ALTERNATE MOTORS

A13070 1/2 HP 115/208-230/60/1 Group C, D (3/4-14 male conduit connection) OPL - 16.3 inches
A13072A 1/2 HP 115/230/50/1 OR 3/4 HP 115/230/60/1 Group C, D (1-11 1/2 male conduit connection) OPL - 18.4 inches
A13078B 1/2 HP 208/230/460/60/50/3 Group C, D (1-11 1/2 male conduit connection) OPL - 16.4 inches

01/11 (1379) FM280

		AIR DIMENSIONS INC. DEERFIELD BEACH, FL. USA 33442 WWW.AIRDIMENSIONS.COM	
DATE 8/14/2007	TITLE Dbl. Head XP HP Pump	MODEL # H302-Fx-Nxx	SHEET 2 OF 2
APPROVED BY FDM	DWG NO H302-Fx-Nxx	MODEL # H302-Fx-Nxx	