

| Parts List | | | |
|------------|-----|---------|-----------------|
| ITEM | QTY | PART # | DESCRIPTION |
| 1 | 1 | A02411 | BEARING |
| 2 | 1 | A02441A | BASE |
| 3 | 1 | A02465 | VALVEBODY |
| 4 | 1 | A03461 | CAP |
| 5 | 1 | A05401 | ECCENTRIC |
| 6 | 4 | A06401A | FOOT |
| 7 | 1 | A08403 | HEAD |
| 8 | 1 | A08461 | HOUSING |
| 9 | 1 | A13440 | MOTOR |
| 10 | 1 | A14401 | COUNTERWEIGHT |
| 11 | 1 | A16407 | FAN COVER |
| 12 | 1 | A16461 | PLATE |
| 13 | 1 | A18402 | TOLERANCE RING |
| 14 | 1 | A18461 | CONNECTING ROD |
| 15 | 1 | A19013 | ECCENTRIC SCREW |
| 16 | 2 | A19021 | SCREW |
| 17 | 4 | A19309 | HEAD SCREW |
| 18 | 2 | A19419 | HOUSING SCREW |
| 19 | 1 | A19467 | PLATE SCREW |
| 20 | 4 | A23402 | WASHER |
| 21 | 1 | *A04461 | DIAPHRAGM |
| 22 | 1 | *A07411 | GASKET |
| 23 | 1 | *A23461 | WASHER |

***RECOMMENDED SPARE PART KITS**

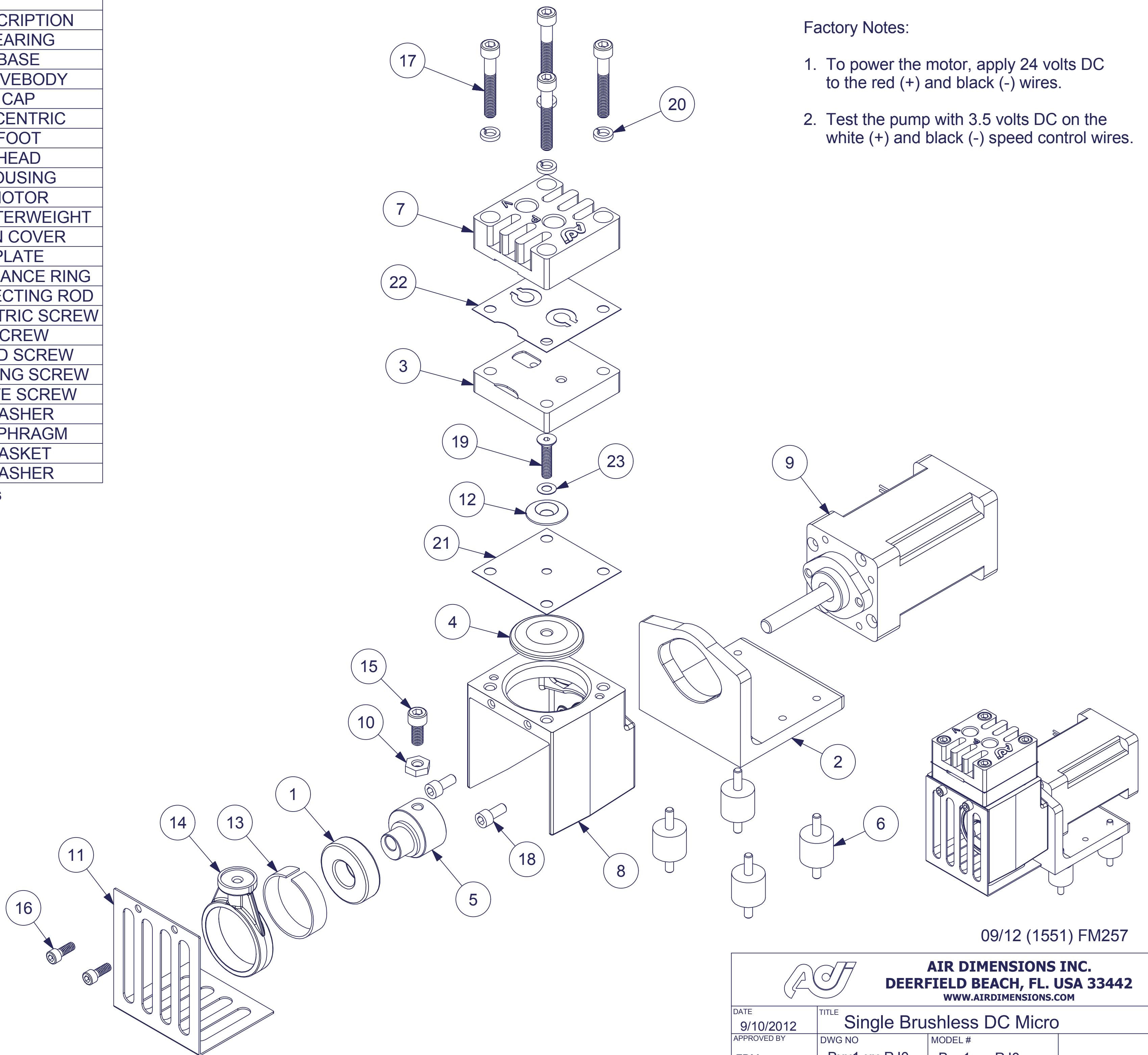
| DIAPHRAGM KITS | |
|----------------|--------------|
| 11403 | VITON |
| 11461 | 2-PLY TEFLON |

INCLUDES ITEMS 21-23

| ALTERNATE AND OPTIONAL PARTS | |
|------------------------------|--------------------------|
| PART # | DESCRIPTION |
| A02460 | VALVEBODY - ALUM TFE CO |
| A02465 | VALVEBODY - 316ss |
| A02466 | VALVEBODY - ALUM |
| A02469 | VALVEBODY - 316ss TFE CO |
| A02495 | VALVEBODY - SILCONERT |
| | |
| A04403 | DIAPHRAGM - VITON |
| A04461 | DIAPHRAGM - 2 PLY TEFLON |
| | |
| A07403 | GASKET - VITON |
| A07411 | GASKET - TEFLON |
| | |
| A08403 | HEAD - 316ss |
| A08404 | HEAD - ALUM |
| A08407 | HEAD - 316ss TFE CO |
| A08408 | HEAD - ALUM TFE CO |
| A08493 | HEAD - SILCONERT |
| | |
| A16461 | PLATE - 316ss |
| A16465 | PLATE - 316ss TFE CO |
| A16491 | PLATE - SILCONERT |

ADS-121V 2/7/12

| ALTERNATE PLATE SCREWS | |
|------------------------|----------------------------|
| PART # | DESCRIPTION |
| A19467 | PLATE SCREW - 316ss |
| A19474 | PLATE SCREW - 316ss TFE CO |
| A19497 | PLATE SCREW - SILCONERT |



Factory Notes:

1. To power the motor, apply 24 volts DC to the red (+) and black (-) wires.
2. Test the pump with 3.5 volts DC on the white (+) and black (-) speed control wires.

09/12 (1551) FM257

| | | | |
|---|-----------|---|---------------------------|
|  | | AIR DIMENSIONS INC. DEERFIELD BEACH, FL. USA 33442 WWW.AIRDIMENSIONS.COM | |
| DATE | 9/10/2012 | TITLE | Single Brushless DC Micro |
| APPROVED BY | FDM | DWG NO | Bxx1-xx-PJ0 |
| | | MODEL # | Bxx1-xx-PJ0 |
| | | SHEET 2 OF 2 | |